



## Main

Range of product	Harmony
Product or component type	Programmable receiver
Device short name	ZBRR
Output type	2 relays
Product specific application	Interface to actuators
Function of module	Monostable Bi-stable Stop/Start
Reset time	2 ms (time delay)

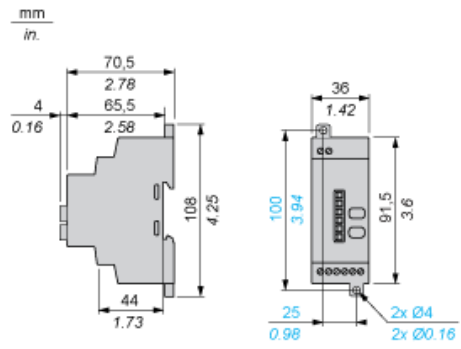
## Complementary

Switching capacity in VA	1250 VA
Maximum switching current	5 A AC/DC
[Us] rated supply voltage	24...240 V AC/DC 50/60 Hz - 10...10 %
Utilisation category	AC-15 : B300 conforming to IEC 60947-5-1 DC-12 conforming to IEC 60947-5-1
Power consumption in W	<= 4 W AC/DC
Immunity to microbreaks	10 ms
Control circuit frequency	50...60 Hz +/- 10 %
Width	35 mm
Output contacts	2 C/O
Nominal output current	3 A
Operating position	Any position without derating
Electrical connection	1 conductor cable 0.14...2.5 mm <sup>2</sup> - AWG26...AWG14 - solid - without cable end conforming to IEC 60947-1 2 conductors cable 0.14...1.5 mm <sup>2</sup> - AWG26...AWG16 - solid - without cable end conforming to IEC 60947-1 1 conductor cable 0.14...4 mm <sup>2</sup> - AWG26...AWG12 - flexible - with cable end conforming to IEC 60947-1 2 conductors cable 0.14...1.5 mm <sup>2</sup> - AWG26...AWG16 - flexible - with cable end conforming to IEC 60947-1
Tightening torque	0.5...1 N.m conforming to IEC 60947-1
Housing material	Self-extinguishing plastic
Status LED	1 LED green for power ON 2 LEDs green for relay ON 2 LEDs green for function mode 1 LED green and yellow for reception signal
Mounting support	35 mm symmetrical DIN rail conforming to EN/IEC 60715

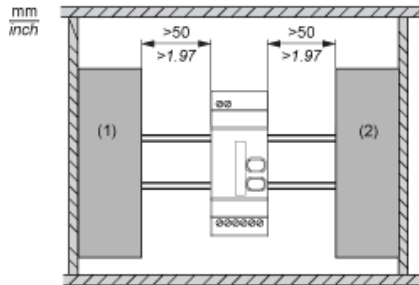
## Environment

Standards	IEC 6100-4-2 IEC 6100-4-3 IEC 6100-4-4 IEC 6100-4-5 IEC 6100-4-6 IEC 6100-4-11
Product certifications	CSA C-Tick GOST UL ANATEL SRRC
Marking	CE
Ambient air temperature for storage	-40...70 °C
Ambient air temperature for operation	-25...55 °C
Relative humidity	90 % at 55 °C
Vibration resistance	+/- 6.2 mm (f= 5...11 Hz) conforming to IEC 60068-2-6 3 gn (f= 11...150 Hz) conforming to IEC 60068-2-6
Shock resistance	30 gn (duration = 11 ms) conforming to IEC 60068-2-27
IP degree of protection	IP20 on casing conforming to IEC 60529 IP20 on terminals
Pollution degree	2 conforming to IEC 60664-1
Overvoltage category	II conforming to IEC 60664-1
Insulation resistance	> 500 MOhm at 500 V DC conforming to NF C 20030
[Ui] rated insulation voltage	250 V conforming to IEC 60664-1
Electromagnetic compatibility	Conducted emission conforming conforming to EN/IEC 61000-6-2 Radiated emission conforming
Resistance to electrostatic discharge	8 kV in free air (in insulating parts) conforming to IEC 61000-4-2 6 kV on contact (on metal parts) conforming to IEC 61000-4-2
Resistance to electromagnetic fields	10 V/m, f = 80...2000 MHz conforming to IEC 60947-5-1 3 V/m, f = 80...2700 MHz, distance = 20 m conforming to IEC 60947-4-3
Resistance to fast transients	2 kV
Electrical durability	100000 cycles
Mechanical durability	1000000 cycles

Programmable Receiver

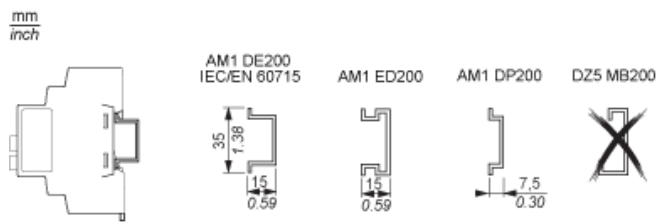


Receiver Clearance



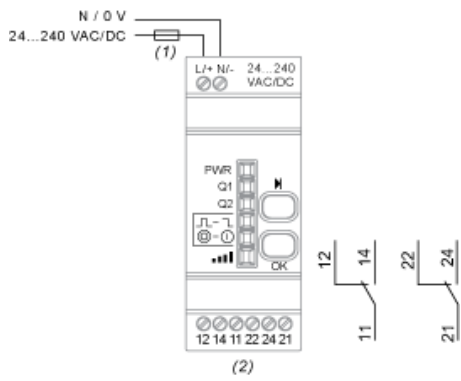
- (1) Drive
- (2) Power Supply or PLC

Receiver Mounting



## Programmable Receiver

### Wiring Diagram



- (1) 400 mA fast-blow fuse
- (2)  $I_{max} = 3 A$