



|    |   |   |   |   |   |   |   |   |   |   |   |
|----|---|---|---|---|---|---|---|---|---|---|---|
|    | 1 | 2 | 3 | 4 | 5 | 6 | 7 | 8 | 9 | 0 | 1 |
| MP |   |   |   |   |   |   |   |   |   |   |   |

**Pos.1 - Mounting Flange / Montaj Bağlantısı**

- omit - Oval mount, two holes  
 ihmal - Oval, iki delikli

**F** - Oval mount, four holes / Oval 4 delikli

**Q** - Square mount, four bolts / Kare contalı, 4 civatalı

**W** - Wheelmount / Tekerlek Şekilli

**Pos.2 - Option ( needlebearings) / Seçenekler**

- omit - none  
 ihmal - hiçbirşey

**N** - with needlebearings

**Pos.3 - Port type/Part Tipi**

- omit - Side ports  
 ihmal - Yan portlar

**E** - Rear ports / Arka portlar

**Pos.4 - Displacement code / Hacim kodları**

|     |                              |
|-----|------------------------------|
| 25* | - 25,0 cm <sup>3</sup> /rev  |
| 32* | - 32,0 cm <sup>3</sup> /rev  |
| 40* | - 40,0 cm <sup>3</sup> /rev  |
| 50  | - 49,5 cm <sup>3</sup> /rev  |
| 80  | - 79,2 cm <sup>3</sup> /rev  |
| 100 | - 99,0 cm <sup>3</sup> /rev  |
| 125 | - 123,8 cm <sup>3</sup> /rev |
| 160 | - 158,4 cm <sup>3</sup> /rev |
| 200 | - 198,0 cm <sup>3</sup> /rev |
| 250 | - 247,5 cm <sup>3</sup> /rev |
| 315 | - 316,8 cm <sup>3</sup> /rev |
| 400 | - 396,0 cm <sup>3</sup> /rev |
| 500 | - 495,0 cm <sup>3</sup> /rev |
| 630 | - 623,6 cm <sup>3</sup> /rev |

**Pos.5 - Shaft Extensions \*\*/ Şaft Ölçüleri**

**C** - ø25 straight, Parallelkey A8x7x32 DIN6885 / düz paralel anahtarlı  
**VC** - ø25 straight, Parallelkey A8x7x32 DIN6885 / düz paralel anahtarlı  
 with corrosion resistant bushing /korozyona karşı dayanıklı yatak

**CO** - ø1"straight, Parallelkey ¼"x¼"x1¼" Bs46 / düz paralel anahtarlı

**VCO** - ø1"straight, Parallelkey ¼"x¼"x1¼" Bs46 / düz paralel anahtarlı  
 with corrosion resistant bushing/korozyona karşı dayanıklı yatak

**SH** - ø25,32 splined Bs2059 (SAE6B) / Frezelenmiş

**VSH** - ø25,32 splined Bs2059 (SAE6B) / Frezelenmiş  
 with corrosion resistant bushing /korozyona karşı dayanıklı yatak

**K** - ø28,56 tapered 1:10, Parallelkey B5x5x14 DIN6885

**SA** - ø24,5 splined B25x22 DIN5482 / Frezelenmiş

**VSA** - ø24,5 splined B25x22 DIN5482 / Frezelenmiş  
 with corrosion resistant bushing /korozyona karşı dayanıklı yatak

**CB** - ø32 straight, Parallelkey A10x8x45 DIN6885 / düz paralel anahtarlı

**KB** - ø35 tapered 1:10, Parallelkey B6x6x20 DIN6885

**SB** - splined A25x22 DIN5482 / Frezelenmiş

**OB** - ø1¼" tapered 1:8, Parallelkey 5/16"x5/16"x1¼" BS46

**HB** - ø1¼" splined 14T ANSI B92.1 - 1976 / Frezelenmiş

**Pos.6 - Shaft Seal Version / Şaft conta versiyonu**

- omit - Low pressure shaft seal or Standard shaft seal  
 ihmal - Düşük basınç şaft conta yada standart şaft conta  
 for "... B " shaft

**D** - Standard shaft seal / Standart şaft çanta

**U** - High pressure shaft seal (without check valves)  
 - Yüksek basınç şaft conta ( valfle kontrol etmeden)

**Pos.7 - Drain Port / Sızıntı Hattı**

- omit - with drain port  
 ihmal - sızıntı hattı

**1** - without drain port / sızıntı hattı olmadan

**Pos.8 - Ports / Portlar**

- omit - BSPP (ISO228)  
**M** - Metric (ISO262)  
 - Metrik (ISO262)

**Pos.9 - Special Features / Özel özellikler**
**Pos.10 - Design Series / Dizayn Seriler**

- omit - Factory specified / Fabrikada belirtilen

| Tipi/Type  | MP 25                      | MP 32 | MP 40 | MP 50 | MP 80 | MP 100 | MP 125   | MP 160   | MP 200   | MP 250   | MP 315   | MP 400   | MP 500   | MP 630 |      |
|--|----------------------------|-------|-------|-------|-------|--------|----------|----------|----------|----------|----------|----------|----------|--------|------|
| Displacement / İletilen Hacim (cm <sup>3</sup> /rev.)  | 25                         | 32.0  | 40.0  | 49.5  | 79.2  | 99     | 123.8    | 158.4    | 198      | 247.5    | 316.8    | 396      | 495      | 623.6  |      |
| Max. Speed (Max. hız)<br>(RPM)   | cont./Devamlı              | 1600  | 1560  | 1500  | 1210  | 755    | 605      | 486      | 378      | 303      | 242      | 190      | 150      | 120    | 95   |
|  | int.* / Aralıklı           | 1800  | 1720  | 1750  | 1515  | 945    | 755      | 605      | 472      | 375      | 303      | 236      | 189      | 150    | 120  |
| Max. Torque (Max. Tork)<br>(daNm)  | cont./Devamlı              | 3.3   | 4.3   | 6.2   | 9.4   | 15.1   | 19.3     | 23.7     | 31.3     | 36.6     | 47       | 48.6     | 50       | 39     | 44   |
|  | int.* / Aralıklı           | 4.7   | 6.1   | 8.2   | 11.9  | 19.5   | 23.7     | 29.8     | 37.8     | 45.6     | 58.3     | 56       | 59       | 57     | 64   |
|  | peak** / Pik               | 6.7   | 8.6   | 10.7  | 14.3  | 22.4   | 27.5     | 36.5     | 43.8     | 55       | 68.5     | 85       | 85.4     | 78     | 82   |
| Max. Output (Max. Çıkış)<br>(kW)   | cont./Devamlı              | 4.5   | 5.8   | 8.4   | 10.1  | 10.2   | 10.5     | 10       | 10.1     | 10       | 9.5      | 7.6      | 6.2      | 3.5    | 3.3  |
|  | int.* / Aralıklı           | 6.1   | 7.8   | 11.6  | 12.2  | 12.5   | 12.8     | 12       | 12.1     | 12       | 12       | 9        | 7.8      | 7.2    | 5.6  |
| Max. Pressure Drop<br>(Max. Basınç Düşümü)<br>(bar)  | cont./Devamlı              | 100   | 100   | 120   | 140   | 140    | 140      | 140      | 140      | 140      | 140      | 120      | 95       | 60     | 55   |
|  | int.* / Aralıklı           | 140   | 140   | 155   | 175   | 175    | 175      | 175      | 175      | 175      | 175      | 140      | 115      | 90     | 80   |
|  | peak** / Pik               | 225   | 225   | 225   | 225   | 225    | 225      | 225      | 225      | 225      | 225      | 225      | 180      | 130    | 110  |
| Max. Oil Flow<br>(Max. Yağ Akışı)<br>(l/min)   | cont./Devamlı              | 40    | 50    | 60    | 60    | 60     | 60       | 60       | 60       | 60       | 60       | 60       | 60       | 60     |      |
|  | int.* / Aralıklı           | 45    | 55    | 70    | 75    | 75     | 75       | 75       | 75       | 75       | 75       | 75       | 75       | 75     |      |
| Max. Inlet Pressure<br>(Max. Giriş Basıncı)<br>(bar)   | cont./Devamlı              | 175   | 175   | 175   | 175   | 175    | 175      | 175      | 175      | 175      | 175      | 175      | 140      | 140    |      |
|  | int.* / Aralıklı           | 200   | 200   | 200   | 200   | 200    | 200      | 200      | 200      | 200      | 200      | 200      | 175      | 175    |      |
|  | peak** / Pik               | 225   | 225   | 225   | 225   | 225    | 225      | 225      | 225      | 225      | 225      | 225      | 225      | 225    |      |
| Max. Return Pressure w/o<br>Drain Line or Max. Pressure<br>in Drain (bar)<br>(Dreyn hatsız ve dreyn<br>hattındaki max. basınç) | cont. 0-100 RPM            | 150   | 150   | 150   | 150   | 100    | 100      | 100      | 100      | 100      | 100      | 100      | 100      | 150    | 150  |
|  | cont. 300-600 RPM          | 75    | 75    | 75    | 75    | 30     | 30       | 30       | 30       | 30       | 30       | 30       | 75       | -      |      |
|  | cont. 300-600 RPM          | 50    | 50    | 50    | 50    | 15     | 15       | 15       | 15       | 15       | -        | -        | -        | -      |      |
|  | cont. > 600 RPM            | 20    | 20    | 20    | 20    | -      | -        | -        | -        | -        | -        | -        | -        | -      |      |
|  | int.* 0 - max.RPM          | 150   | 150   | 150   | 150   | 100    | 100      | 100      | 100      | 100      | 100      | 100      | 100      | 150    | 150  |
| Max. Return Pressure<br>with Drain Line (bar)<br>(Dreyn hatlı max<br>dönüş basınç)   | cont./Devamlı              | 175   | 175   | 175   | 175   | 175    | 175      | 175      | 175      | 175      | 175      | 175      | 140      | 140    |      |
|  | int.* / Aralıklı           | 200   | 200   | 200   | 200   | 200    | 200      | 200      | 200      | 200      | 200      | 200      | 175      | 175    |      |
|  | peak** / Pik               | 225   | 225   | 225   | 225   | 225    | 225      | 225      | 225      | 225      | 225      | 225      | 225      | 225    |      |
| Max. Starting Pressure with Unloaded Shaft, (bar)<br>(Yüklemesiz şaft ile başlama basıncı)                                     |                            | 10    | 10    | 10    | 10    | 10     | 10       | 9        | 8        | 7        | 6        | 5        | 5        | 5      |      |
| Min Starting Torque<br>(min başlama Torku)<br>(daNm)   | at max. press. drop. cont. | 3     | 4     | 5.4   | 7.8   |        | 16.6     | 10.7     | 28.2     | 33.5     | 42.8     | 45.8     | 45.8     | 36     | 41.5 |
|  | at max. press. drop. Int.* | 4.2   | 5.6   | 6.9   | 10    | 6(6.5) | 21       | 26.6     | 35.5     | 42.6     | 54.2     | 61.9     | 60.8     | 54     | 62   |
| Min. Speed***, (RPM)   |                            | 20    | 15    | 10    | 10    |        | 10       | 10       | 10       | 10       | 10       | 10       | 10       | 10     |      |
| weight, avg. (kg)  | MP(F)                      | 5.6   | 5.6   | 5.7   | 5.8   |        | 6.2(6.7) |          |          |          |          |          |          | 8.9    | 9.5  |
|  | MPF(E)...B                 |       |       |       |       |        |          | 6.3(6.7) | 6.5(6.9) | 6.7(7.2) | 6.9(7.4) | 7.2(7.7) | 7.7(8.2) |        |      |
| MPQ(N)   |                            |       |       | 5.2   |       |        |          |          |          |          |          |          |          | 8.3    | 9.0  |
| MP(F)(N)E  |                            |       |       | 6.3   |       |        |          |          |          |          |          |          |          | 9.3    | 10   |
| MPW(N)   |                            |       |       | 5.5   |       |        |          |          |          |          |          |          |          | 8.8    |      |
| MPQ(N)E  |                            |       |       | 5.7   |       |        |          |          |          |          |          |          |          |        | 8.5  |

\* Intermittent operation: The permissible value may occur for max. 10% of every minute.

\*\* Peak load: The permissible value may occur for max. 1% of every minute.

\*\*\* For speed of 5 RPM lower than even consult factory or your regional manager.

1) Intermittent speed and Intermittent pressure must not occur simultaneously.

2) Recommended filtration is per ISO clean lines code 20/16. A nominal filtration of 25 micron or better.

3) Recommend using a premium quality, anti-wear type mineral based hydraulic oil, HLP (DIN51524) or HM (ISO 6743/4) if using synthetic fluids consult the factory for alternative seal materials.

 4) Recommended minimum oil viscosity 13 mm<sup>2</sup>/s at 50 C.

5) Recommended maximum system operation temperature is 82 C

6) To assure optimum motor life fill with fluid prior to loading and run at moderate load and speed for 10-15 minutes.

\* Aralıklı Operasyonu: İzin verilebilir değerler her dakikanın maks %10 için oluşabilir.

\*\* Aşırı Yük: Müsaade edilebilir değerler her dakikanın %1 için oluşabilir.

\*\*\* 10 RPM ve aşağısı hızlar için fabrikaya veya bölge bayiliğine başvurunuz.

1) Aralıklı hız ve aralıklı basınç düşüşleri aynı zamanda olmalıdır.

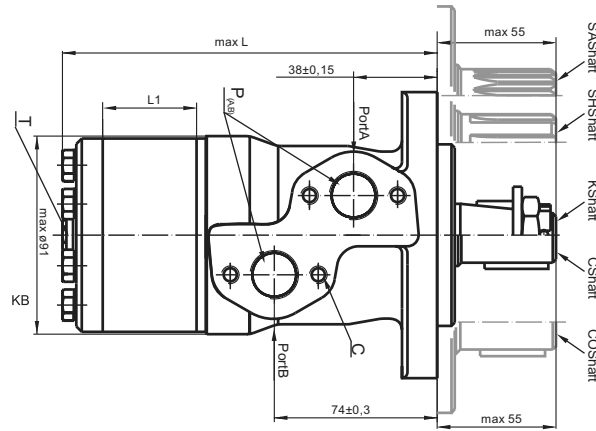
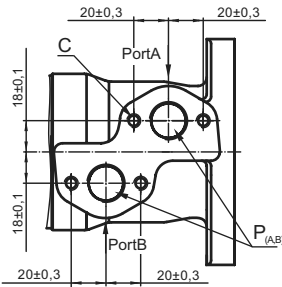
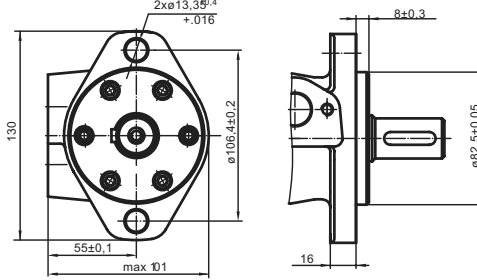
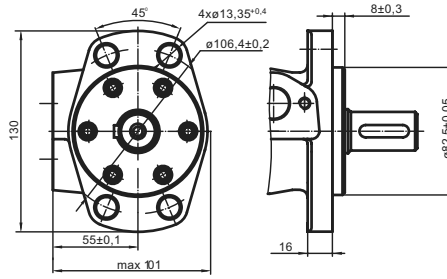
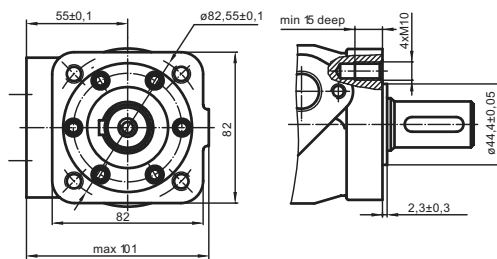
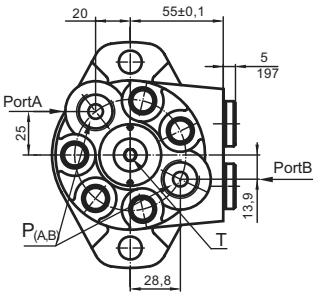
2) Tavsiye edilen filtrasyon ISO 20/16, nominal filtrasyon 25 mikron ve iyisi.

3) Tavsiye edilen hidrolik yağ üstün kalitede anti-wear tipi mineral kökenlidir.

 4) Tavsiye edilen en düşük yağ viskozitesi operasyon sıcaklığının 133 mm<sup>2</sup>/s'dir.

5) Tavsiye edilen en yüksek sistem operasyon sıcaklığı 82 C dir.

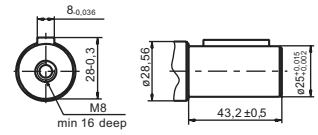
6) En uzun motor ömrünü sağlamak için yüklenmeden önce sıvı ile doldurulup düşük bir yük ve hızda 10-15 dk. çalıştırılır.


**PORTING / BAĞLAMA**
**S Side Ports / Yan Portlar**

**MOUNTING / MONTAJ**
**Oval Mount(2 Holes) / Oval Şekli (2 delikli)**

**F - Oval Mount (4Holes) / Oval Şekli (4 delikli)**

**Q - Square Mount (4Bolts)/ Kare Şekli (4 civatalı)**

**E Rear Ports / Yan Portlar**


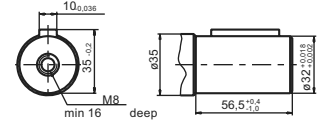
C : 4xM8 -13 mm depth  
P<sub>(A,B)</sub> : 2x G 1/2 or 2x M 22 x 1,5 -15 mm depth  
T : G1/4 or M14x1,5 -12 mm depth(plugged)

**SHAFT EXTENSIONS / ŞAFT ÖZELLİKLERİ**

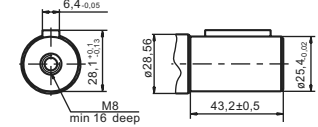
**C** -ø25 straight, Paralel key A8x7x32 DIN6885  
Max. Torque 34daNm



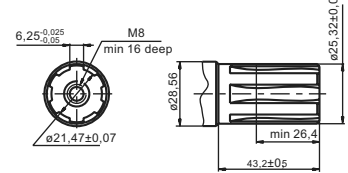
**Cb** -ø32 straight, Paralelkey A10x8x45 DIN6885  
Max. Torque 77daNm



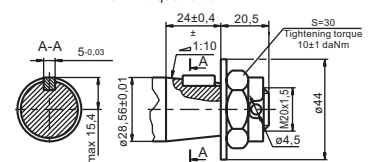
**CO** -ø1" straight, Paralelkey 1/4"x1/4"x11/4"BS46  
Max. Torque 34daNm



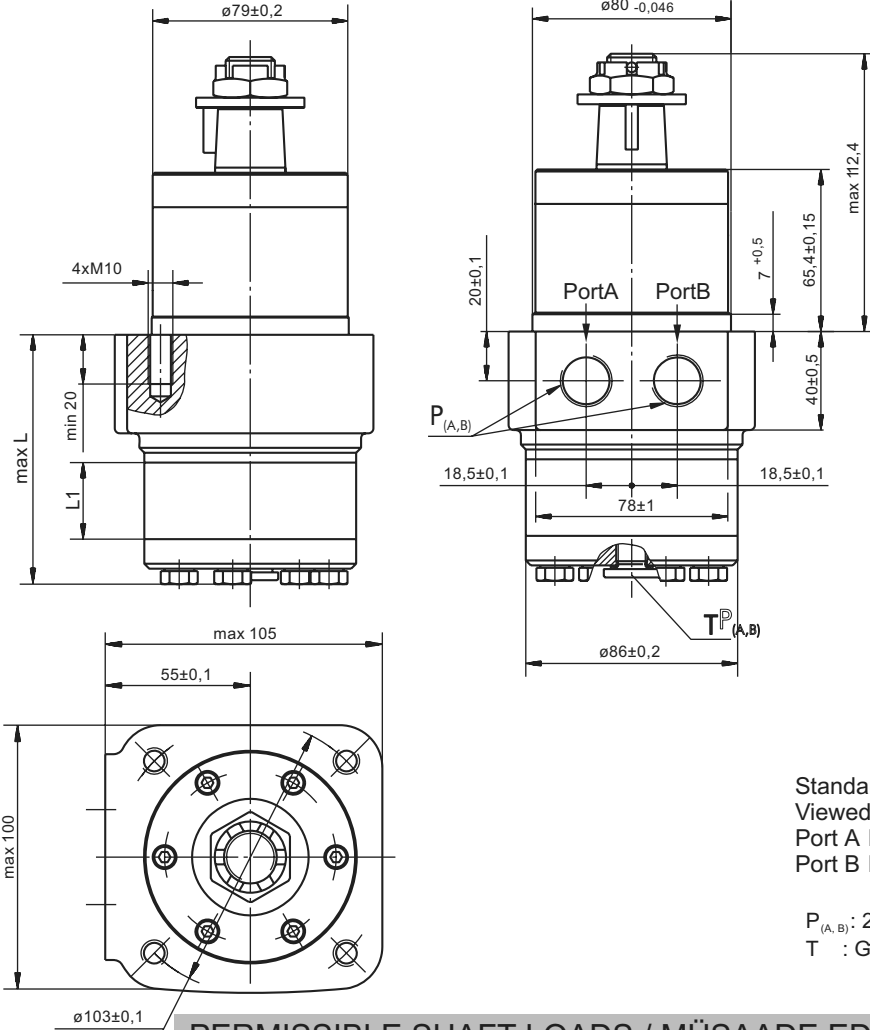
**SH** - splined, BS 2059 (SAE6B)  
Max. Torque 40daNm



**K** -tapered 1:10, Paralelkey B5x5x14 DIN 6885  
Max. Torque 40 daNm



| Type/Tipi | L,mm  | Type/Tipi | L,mm  | Type/Tipi  | L,mm  | Type/Tipi | L,mm  | L <sub>1</sub> ,mm |
|-----------|-------|-----------|-------|------------|-------|-----------|-------|--------------------|
| MP(F) 25  | 134,0 | MP Q 25   | 140,5 | MP(F)E 25  | 151,5 | MP QE 25  | 158,0 | 5,20               |
| MP(F) 32  | 135,0 | MPQ 32    | 141,5 | MP(F)E 32  | 152,5 | MPQE 32   | 159,0 | 6,30               |
| MP(F) 40  | 136,5 | MPQ 40    | 142,5 | MP(F)E 40  | 154,0 | MPQE 40   | 160,0 | 7,40               |
| MP(F) 50  | 135,5 | MPQ 50    | 142,0 | MP(F)E 50  | 153,0 | MPQE 50   | 159,5 | 6,67               |
| MP(F) 80  | 139,5 | MPQ 80    | 146,0 | MP(F)E 80  | 157,0 | MPQE 80   | 163,0 | 10,67              |
| MP(F) 100 | 142,0 | MPQ 100   | 148,5 | MP(F)E 100 | 160,0 | MPQE 100  | 166,0 | 13,33              |
| MP(F) 125 | 145,5 | MPQ 125   | 152,0 | MP(F)E 125 | 163,0 | MPQE 125  | 169,5 | 16,67              |
| MP(F) 160 | 150,0 | MPQ 160   | 156,5 | MP(F)E 160 | 168,0 | MPQE 160  | 174,0 | 21,33              |
| MP(F) 200 | 155,5 | MPQ 200   | 162,0 | MP(F)E 200 | 173,0 | MPQE 200  | 179,5 | 26,67              |
| MP(F) 250 | 162,0 | MPQ 250   | 168,5 | MP(F)E 250 | 180,0 | MPQE 250  | 186,0 | 33,33              |
| MP(F) 315 | 171,5 | MPQ 315   | 178,0 | MP(F)E 315 | 189,0 | MPQE 315  | 195,5 | 42,67              |
| MP(F) 400 | 182,0 | MPQ 400   | 188,5 | MP(F)E 400 | 200,0 | MPQE 400  | 206,0 | 53,33              |
| MP(F) 500 | 195,5 | MPQ 500   | 202,0 | MP(F)E 500 | 213,0 | MPQE 500  | 219,5 | 66,63              |
| MP(F) 630 | 213,0 | MPQ 630   | 219,0 | MP(F)E 630 | 230,5 | MPQE 630  | 236,5 | 84,00              |

**DIMENSIONS AND MOUNTING DATA -MPW**  
**ÖLÇÜLENDİRME VE MONTAJ BİLGİLERİ - MPW**
**W - Wheel Mount / Yürüyüş Motoru**


| Type/Tipi | L,mm  | L <sub>1</sub> ,mm |
|-----------|-------|--------------------|
| MP W 25   | 77,0  | 5,20               |
| MP W 32   | 78,0  | 6,30               |
| MP W 40   | 79,5  | 7,40               |
| MPW 50    | 78,5  | 6,67               |
| MPW 80    | 82,5  | 10,67              |
| MPW 100   | 85,0  | 13,33              |
| MPW 125   | 88,5  | 16,67              |
| MPW 160   | 93,0  | 21,33              |
| MPW 200   | 98,5  | 26,67              |
| MPW 250   | 105,0 | 33,33              |
| MPW 315   | 114,5 | 42,67              |
| MPW 400   | 125,0 | 53,33              |
| MPW 500   | 138,5 | 66,63              |
| MPW 630   | 156,0 | 84,00              |



Standard Rotation Viewed from Shaft End  
 Port A Pressurized CW  
 Port B Pressurized CCW

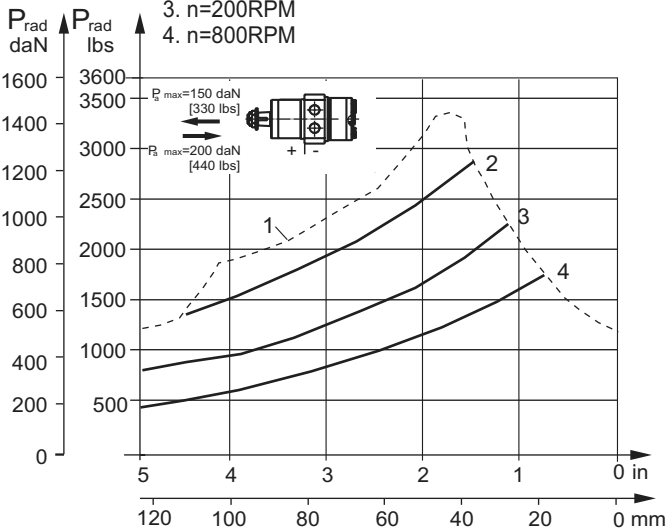
Reverse Rotation Viewed from Shaft End  
 Port A Pressurized CCW  
 Port B Pressurized CW

$P_{(A,B)}$ : 2x G 1/2 or 2x M 22 x 1,5 - 15 mm depth  
 T : G1/4 or M14 x 1,5 - 12 mm depth (plugged)

**PERMISSIBLE SHAFT LOADS / MÜSAADE EDİLEN ŞAFT YÜKLEMELERİ**
**MPWN**
**MPW**

The curves apply to a B10 bearing life of 2000 hours.

1. Max. radial shaft load / Mak. radyal şaft yüklemesi
2. n= 50RPM
3. n=200RPM
4. n=800RPM



1. Max. radial shaft load / Mak. radyal şaft yüklemesi
2. n=300RPM
3. n=500RPM
4. n=800RPM

